

Job Name: _____
 Location: _____
 Engineer: _____
 Submitted to: _____
 Submitted by: _____
 Reference: _____

Date: _____
 Approval: _____
 Construction: _____
 Unit #: _____
 Drawing #: _____



INDOOR UNIT FEATURES:



MOTION SENSOR (OPTIONAL)

Intelligent motion sensing technology enables auto ON/OFF, auto fan, and auto temperature adjustments based on movement and occupancy of the room.



WIFI ADAPTER (OPTIONAL)

An optional WiFi adapter can be installed to enable system control via iOS or Android smart device for up to 64 indoor units.



FAN SPEED

6 Selectable fan speeds.



REMOTE CONTROL

Indoor units can be controlled with wireless remote controller featuring an LCD display.



AUTO RESTART

The automatic restart function sets the indoor units to automatically restart and resume previous settings in the event of a power outage.



COMPACT SIZE

Compact indoor units can be conveniently transported and installed, even in small spaces.



SELF-DIAGNOSIS

CHV indoor units use the self-diagnosis function to monitor and analyze malfunctions. Error codes are displayed on LED displays, remote controllers, or PCB boards as a general troubleshooting guide.



SILENT OPERATION

CHV units create minimal sound pressure during operation.



SWING LOUVER

CHV ceiling cassettes and wall mounts include louvers which swing automatically for even air distribution.



ADJUSTABLE LOUVER POSITION

CHV indoor units feature adjustable louvers for more precise directional air flow.



EASY MAINTENANCE

CHV indoor units provide convenient access to filters and other important components for easy upkeep and increased longevity.



STANDARD FILTER INCLUDED

A washable, long-life filter is included as a standard part.



LOW TEMPERATURE COOLING

The target temperature of indoor units can be set as low as 60°F.



AUTO FAN SPEED

Fan speed rotation is automatically controlled to achieve optimum efficiency and comfort.

Optional Accessories:

- Wired controller - SPWT-B01
- Motion Sensor - SPHNS-S01E
- Wired controller - SPWT-A01

Model name			CHV-RS18WTU
Ton			1.6
Model power supply			AC 1 - Phase 208/230 V 60 Hz
Cooling operation	Nominal capacity	Btu/h	19,100
	Power consumption	kW	0.03
Heating operation	Nominal capacity	Btu/h	21,500
	Power consumption	kW	0.03
MCA (Minimum circuit ampacity)		A	0.45
MOP (Minimum overcurrent protection)		A	15
Air flow rate		CFM	571/530/501/471/430/406
Noise level		dB(A)	40/38/36/35/33/31
Outer dimension	Height	in	12 13/32
	Width	in	44 3/32
	Depth	in	9 1/16
Net weight		lbs	31.7
Refrigerant			R32
Refrigerant flow control			Micro-computer Control Expansion Valve
Cabinet Color			White
Piping connections			Flare-Nut Connection (with Flare Nuts)
Refrigerant piping	Gas line	in	5/8"
	Liquid line	in	3/8"
Condensate drain		in	5/8" (Inner Diameter)
Panel Model			Flat Panel

NOTES:

1. The nominal cooling capacity is the combined capacity of the Cooper&Hunter standard split system.

Cooling operation conditions: Indoor air inlet temperature: 80°F DB 66°F WB, Outdoor air inlet temperature: 95°F DB.

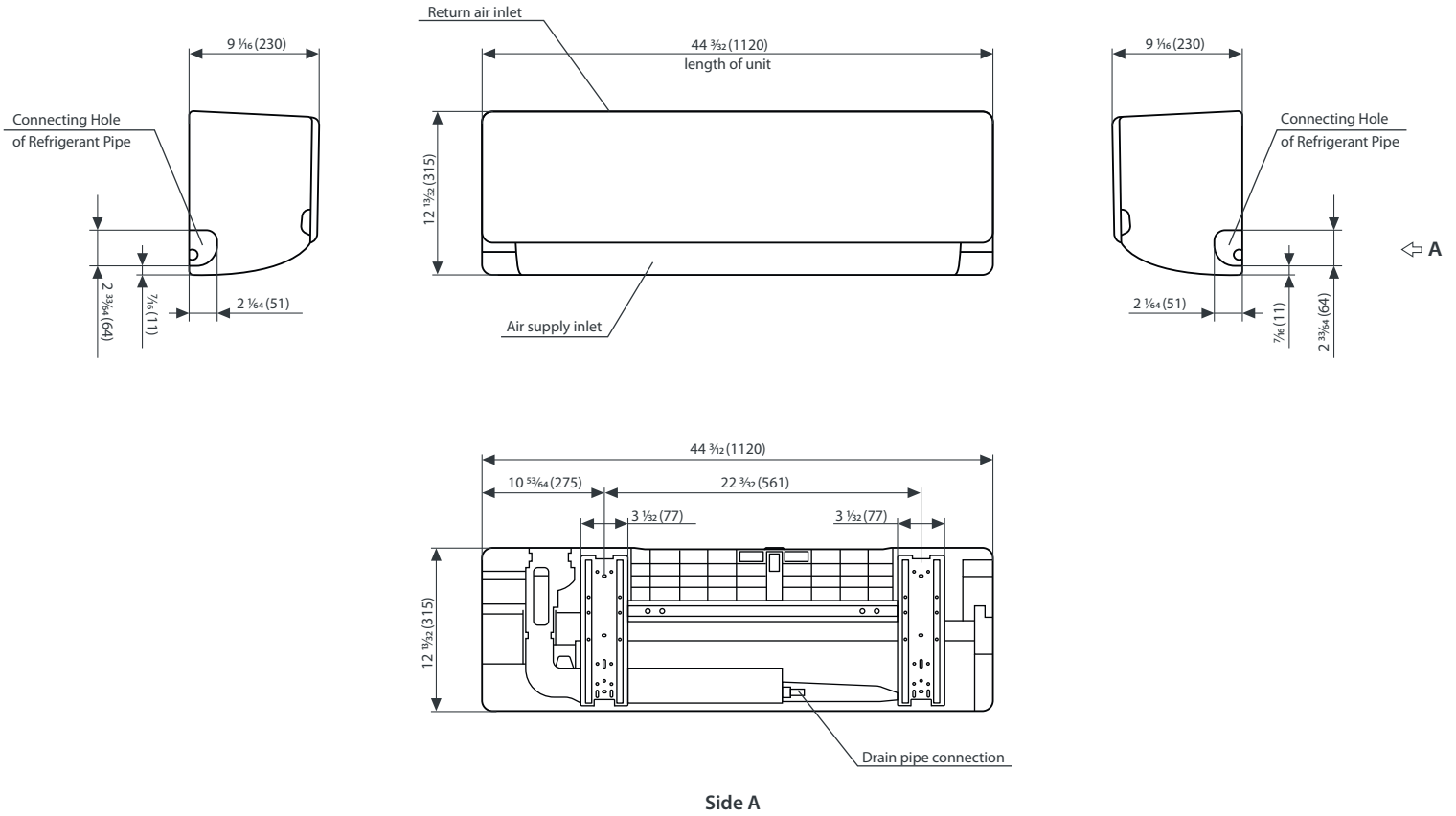
Heating operation conditions: Indoor air inlet temperature: 68°F DB, Outdoor air inlet temperature: 44°F DB, 42°F WB., Piping length: 24.6ft., Piping lift: 0ft.

2. The sound pressure level is based on the following conditions: 4.9ft beneath the unit with discharge Duct(6.5ft.) and Return Duct(3.3ft.). Voltage of the power source for the indoor fan motor is 208V. The above data was measured in an anechoic chamber so that reflected sound should be taken into consideration in the field.

3. The data for external pressure *1) indicates standard pressure setting values when a filter is not used.

4. The above air flow rate and noise level are tested with AC 208V power supply and without filter screen.

Unit: inch (mm)



Side A