

Job Name: \_\_\_\_\_  
Location: \_\_\_\_\_  
Engineer: \_\_\_\_\_  
Submitted to: \_\_\_\_\_  
Submitted by: \_\_\_\_\_  
Reference: \_\_\_\_\_

Date: \_\_\_\_\_  
Approval: \_\_\_\_\_  
Construction: \_\_\_\_\_  
Unit #: \_\_\_\_\_  
Drawing #: \_\_\_\_\_



**OUTDOOR UNIT FEATURES:**

- ◆ Multi positioning installation is able to fit in different type of projects and room structures
- ◆ 100% cooper pipe
- ◆ It is compatible with ordinary controllers with 24V AC inverter
- ◆ Adaptable external static pressure
- ◆ Low noise DC Fan Motor
- ◆ Optional electric heater
- ◆ A refrigerant leak detection sensor is equipped

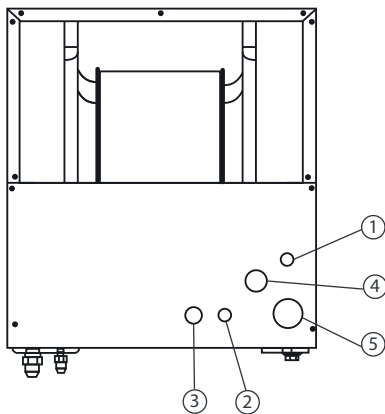
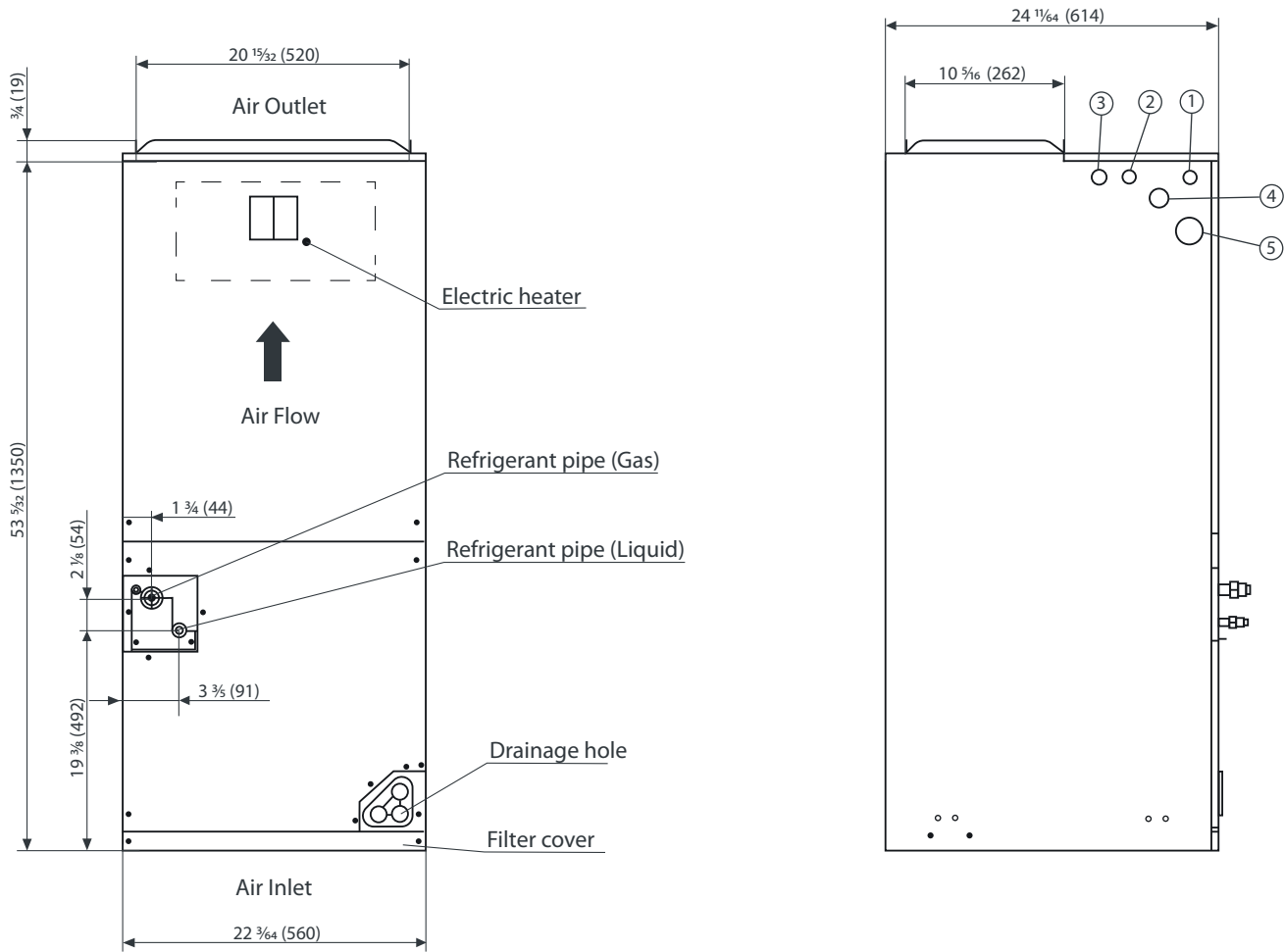


<b>Model name</b>			<b>CHV-RS48MPAHU</b>
<b>Ton</b>			<b>4</b>
Model power supply			AC 1 - Phase 208/230 V 60 Hz
Cooling operation	Nominal capacity	Btu/h	48,000
	Power consumption	kW	14.1
Heating operation	Nominal capacity	Btu/h	54,000
	Power consumption	kW	15.8
MCA (Minimum circuit ampacity)		A	7.81
MOP (Minimum overcurrent protection)		A	15
Air flow rate		CFM	1299
Noise level		dB(A)	50
Outer dimension	Height	in	53 <sup>15</sup> / <sub>16</sub>
	Width	in	22 <sup>3</sup> / <sub>64</sub>
	Depth	in	24 <sup>11</sup> / <sub>64</sub>
Net weight		lbs	206.8
Refrigerant			R32
Refrigerant flow control			Micro-computer Control Expansion Valve
Piping connections			Flare-Nut Connection (with Flare Nuts)
Refrigerant piping	Gas line	in	3/8"
	Liquid line	in	5/8"
Condensate drain		in	NPT3/4

**NOTES:**

- The above specifications demonstrate cooling and heating conditions when the outdoor unit is operated with the 100% rating of indoor units, Cooling operation conditions: indoor air inlet temperature: 80°F DB 67°F WB, Outdoor air inlet temperature: 95°F DB, Piping length: 25ft., Piping lift: 0ft.  
Heating operation conditions: Nominal heating condition, indoor air inlet temperature: 70°F DB, outdoor air inlet temperature: 47°F DB 43°F WB.  
Heating operation conditions: Low temp. heating condition, indoor air inlet temperature: 70°F DB, outdoor air inlet temperature: 17°F DB 15°F WB.
- Rated capacity and efficiency are certified under AHRI Standard 1230. Ratings are subject to change without notice. Current certified ratings are available at [www.ahridirectory.org](http://www.ahridirectory.org).
- The above noise values were measured in an anechoic chamber without reflected echo. Measurement point: 3.3ft from the service cover surface and 4.9ft from floor level.
- The final appearance of outdoor units may vary from images shown here.

Unit: inch (mm)



No.	Knockout of hole diameter		Trade size of conduit		Application
	mm	in.	mm	in.	
①	22.2	7/8	16	1/2	Communication wiring hole
②	22.2	7/8	16	1/2	High voltage wiring hole
③	27.8	1-3/32	21	3/4	
④	34.5	1-23/64	27	1	
⑤	43.7	1-23/32	35	1-1/4	